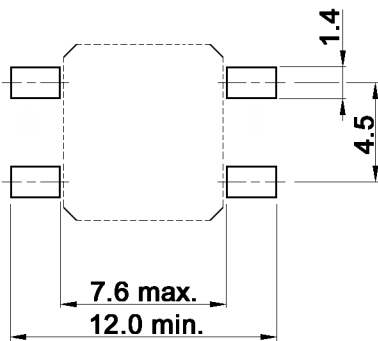
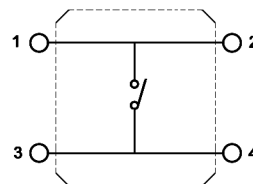


SOLDERING PAD



CIRCUIT DIAGRAM



Compliance: RohS III (2015/863/EU)

Tolerances: 0.1-1.0: ±0.05mm 1.0-5.0: ±0.10mm 5.0-10.0: ±0.20mm 10.0-20.0: ±0.30mm	Date	Name
	09/12	dr
Min. load	03/24	dr
Packaging	07/23	dr
Operating force	04/22	dr
Material contact disc	06/21	dr
Button color	01/21	dr
Operating temperature	04/20	dr
Rename	07/18	dr
Modifications	Date	Name

TSSE 808-xxx T

knitter-switch

30 27 14

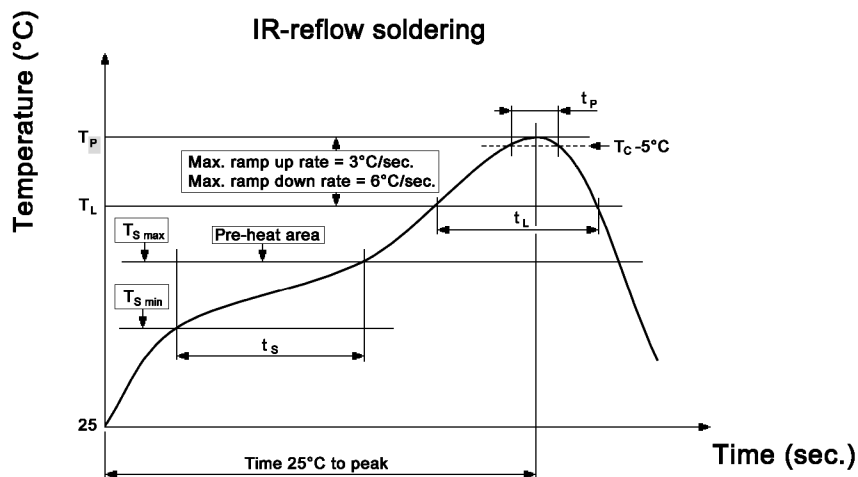
Page

1/3

Specifications:

Contact rating: 100mA, 42V AC/DC
Minimum load: 10 μ A, 20 mV AC/DC
Contact resistance: 100mOhm max.
Insulation resistance: 100MOhm min. at 100V DC
Dielectric strength: 250V DC, 50Hz for the duration of 1 minute
Operating temperature: -40°C to +85°C
Mechanical life: 5 000 000 cycles
Mounting: on PC-board
IP rating: IP67
Material: Base: thermoplastic UL94V-0, black
 Button: silicone
 Terminal contact: brass, gold plated
 Terminal: brass, tin plated
 Contact disc: stainless steel, gold plated

Soldering conditions:



$T_P = 260^\circ\text{C}$
 $t_P = 10\text{sec. max.}$

$T_L = 217^\circ\text{C}$
 $t_L = 90\text{sec. max.}$

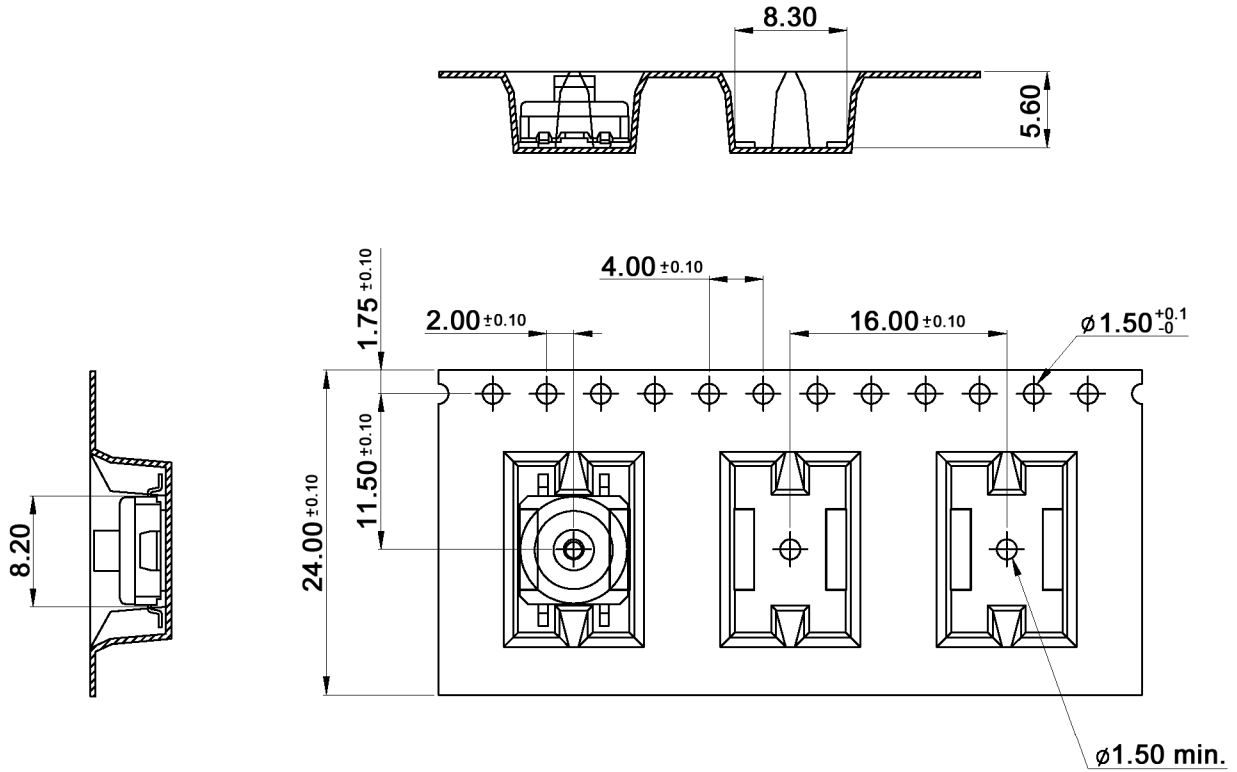
$T_{S\ max} = 200^\circ\text{C}$
 $T_{S\ min} = 150^\circ\text{C}$
 $t_S = 120\text{sec. max.}$

xxx	Operating force (N)	Button color
250	2.5 +/-0.5	natural
350	3.5 +/-0.6	natural
650	6.5 +/-1.3	white

Compliance: RohS III (2015/863/EU)

Tolerances: 0.1-1.0: $\pm 0.05\text{mm}$ 1.0-5.0: $\pm 0.10\text{mm}$ 5.0-10.0: $\pm 0.20\text{mm}$ 10.0-20.0: $\pm 0.30\text{mm}$		Date	Name	<h1>TSSE 808-xxx T</h1>
		09/12	dr	
Min. load	03/24	dr		
Packaging	07/23	dr		
Operating force	04/22	dr		
Material contact disc	06/21	dr		
Button color	01/21	dr		<h2>30 27 14</h2>
Operating temperature	04/20	dr	knitter-switch	
Rename	07/18	dr		
Modifications	Date	Name		Page 2/3

Packaging:



Packaging unit: 700 pcs. / reel
 Compliance: RohS III (2015/863/EU)

Tolerances:		Date	Name
0.1-1.0:	±0.05mm	09/12	dr
1.0-5.0:	±0.10mm		
5.0-10.0:	±0.20mm		
10.0-20.0:	±0.30mm		
Min. load	03/24	dr	
Packaging	07/23	dr	
Operating force	04/22	dr	
Material contact disc	06/21	dr	
Button color	01/21	dr	
Operating temperature	04/20	dr	
Rename	07/18	dr	
Modifications	Date	Name	

TSSE 808-xxx T

knitter-switch

30 27 14

Page

3/3